

Introduction





After the discontinuation of distribution and Service by Stryker of the Cast Vac Systems 0986-000-000, 0996-000-000 and 0987-000-000, Contract Medical Manufacturing, LLC objective is to supply to the public the replacement high efficiency filters used in such products in order to satisfy user's needs.

This Instructions for Use is intended only to describe and provide information for the safe and effective installation process of the High Efficiency Filter Cartridge with catalog number 0986-500-000 on any Cast Vac System Manufactured and distributed by Stryker in the USA.

This document is not intended to provide information on the use, warnings, precautions, trouble shooting, or maintenance of any of the Stryker's Cast Vacs Systems, for that regards, please refer to Stryker's Cast Vac Systems Instructions for Use that comes with the equipment.

As part of the Preventive maintenance of the Cast Vac System, the filter should be inspected frequently, if the filter cartridge is found to be full or damaged, replace the filter cartridge. See the To Replace the High Performance Filter Cartridge section.

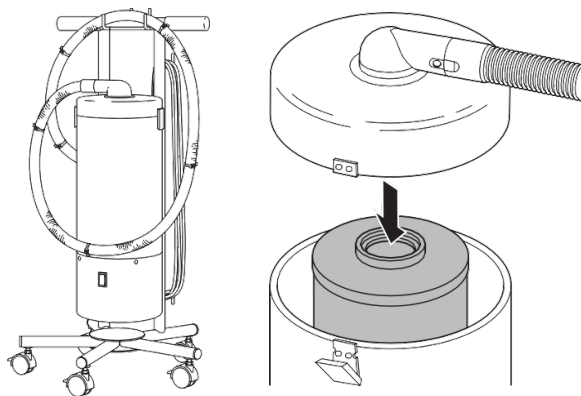
Definitions

SYMBOL	DEFINITION
	This symbol is intended to alert service personnel of the presence of voltage that may cause injury or fatal electric shock. Disconnect the device from the electrical supply before servicing.
	General warning sign <ul style="list-style-type: none"> A WARNING highlights a safety-related issue. ALWAYS comply with this information to prevent patient and/or healthcare staff injury.
	Consult instructions for use <ul style="list-style-type: none"> ALWAYS review the equipment instructions for use before realizing any activity in the equipment to prevent any patient and/or healthcare staff injury.
	Keep Dry <ul style="list-style-type: none"> Store High Efficiency Filters in a dry place, avoid contact with water to prevent filter malfunction.

To Replace the High Performance Filter Cartridge (0986-500-000)



WARNING: ALWAYS disconnect the power cord plug from the facility power outlet before performing maintenance procedures on the equipment. Failure to comply may cause fire, electric shock, or injury.



1. Disconnect the equipment power cord plug from the facility power outlet.
2. Open the two latches.
3. Remove the lid from the canister.
4. Pull and twist the hose connector to remove the used filter cartridge from the lid. Dispose of the filter cartridge.
5. Pull the new filter cartridge from the packaging. Inspect for damage. If filter is damaged or broken, do not use.
6. Place a filter cartridge in the approximate center of the canister, with the filter cartridge opening facing up.
7. Place the lid over the canister so that the bottom of the hose connector is aligned with the filter cartridge opening.
8. Press the lid down and twist the hose connector to connect the filter cartridge.
9. Close the two latches.

Disposal/Recycle



WARNING: ALWAYS follow the current local recommendations and/or regulations governing environmental protection and the risks associated with recycling or disposing of the used filters.

Recommended Storage and Handling

CAUTION: ALWAYS store the filters in a dry environment, it is recommended to maintain filters on its original package to prevent any damage to the filter.



Contract Medical Manufacturing, LLC
Jacks Hill Road, Unit 3EF
Oxford CT (USA) 06478
+1 (203) 888-1430

<http://www.contractmedicalmanufacturing.com>